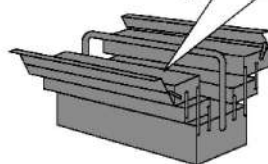
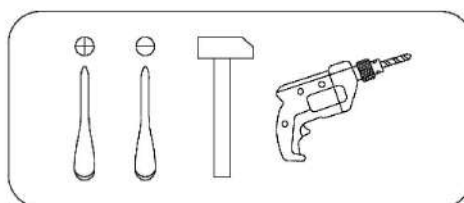
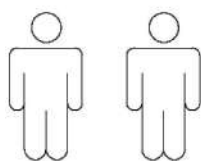
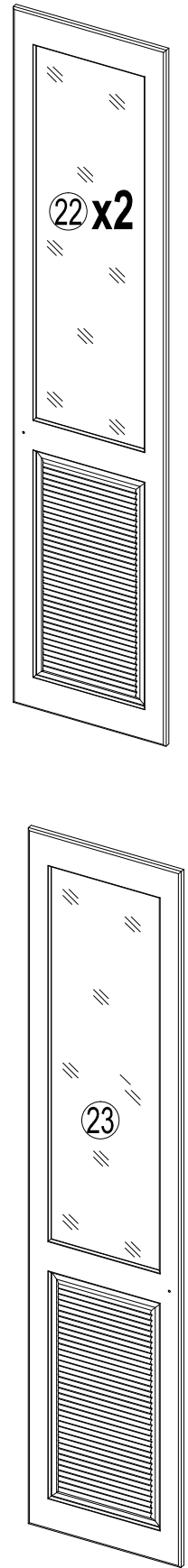
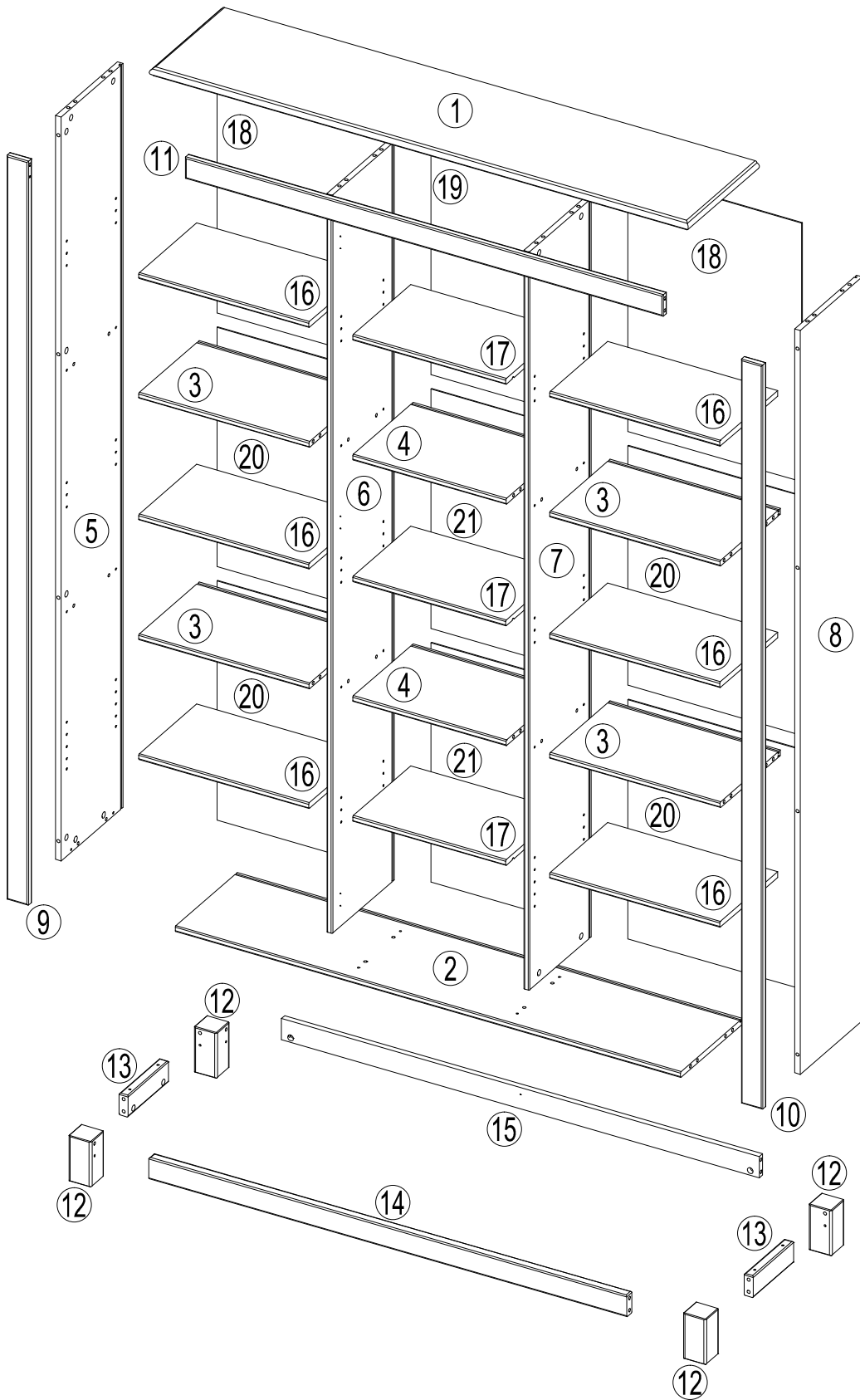
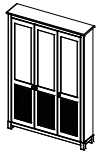
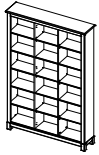
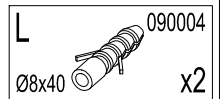
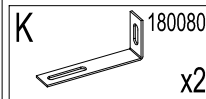
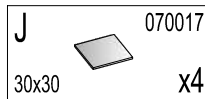
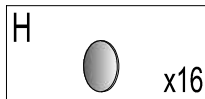
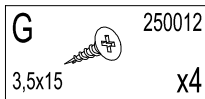
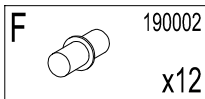
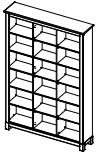
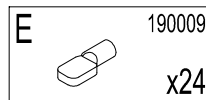
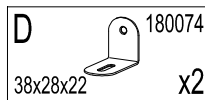
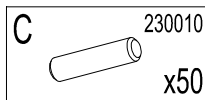
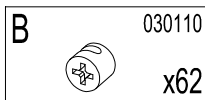
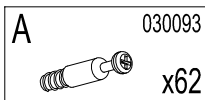
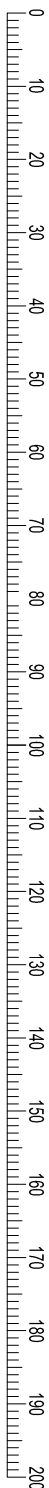


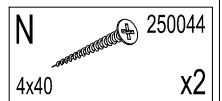
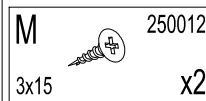
- | | | | |
|-----------|------------------------------------|-----------|--------------------------------|
| D | Montageanleitung | GB | Assembly instructions |
| FR | Notice de montage | IT | Istruzioni di montaggio |
| NL | Handleiding voor de montage | PL | Instrukcja montażu |
| CZ | Montážní návod | SK | Návod na montáž |
| HU | Szerelési útmutató | RO | Instrukțiuni de montaj |
| TR | Montaj talimatı | RU | Инструкция по монтажу |



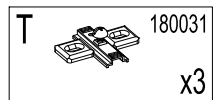
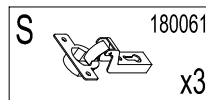
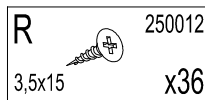
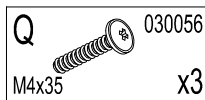
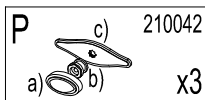
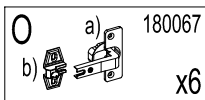
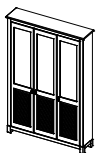




| | |
|------------|--------|
| | H |
| бейц-масло | 070038 |
| колониал | 070032 |
| белый воск | 070039 |



| № | Size/MaB (mm) | Qty | ✓ | № | Size/MaB (mm) | Qty | ✓ |
|----|---------------|-----|---|----|---------------|-----|---|
| 1 | 1418x324x24 | 1 | | 12 | 120x60x60 | 4 | |
| 2 | 1329x282x15 | 1 | | 13 | 184x56x24 | 2 | |
| 3 | 448x275x15 | 4 | | 14 | 1257x56x24 | 1 | |
| 4 | 403x275x15 | 2 | | 15 | 1257x56x15 | 1 | |
| 5 | 1956x282x15 | 1 | | 16 | 447x264x15 | 6 | |
| 6 | 1941x282x15 | 1 | | 17 | 402x264x15 | 3 | |
| 7 | 1941x282x15 | 1 | | 18 | 680x457x3 | 2 | |
| 8 | 1956x282x15 | 1 | | 19 | 680x412x3 | 1 | |
| 9 | 1956x56x18 | 1 | | 20 | 629x457x3 | 4 | |
| 10 | 1956x56x18 | 1 | | 21 | 629x412x3 | 2 | |
| 11 | 1257x56x18 | 1 | | | | | |



| № | Size/MaB (mm) | Qty | ✓ | № | Size/MaB (mm) | Qty | ✓ |
|----|---------------|-----|---|----|---------------|-----|---|
| 22 | 1894x415x18 | 2 | | 23 | 1894x415x18 | 1 | |

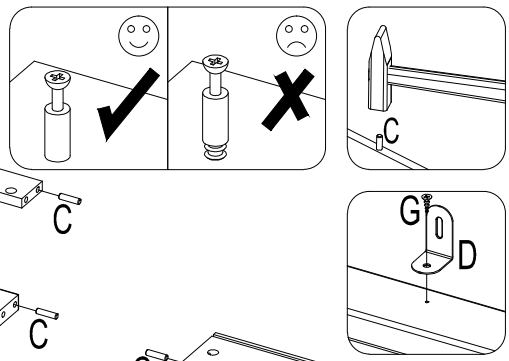
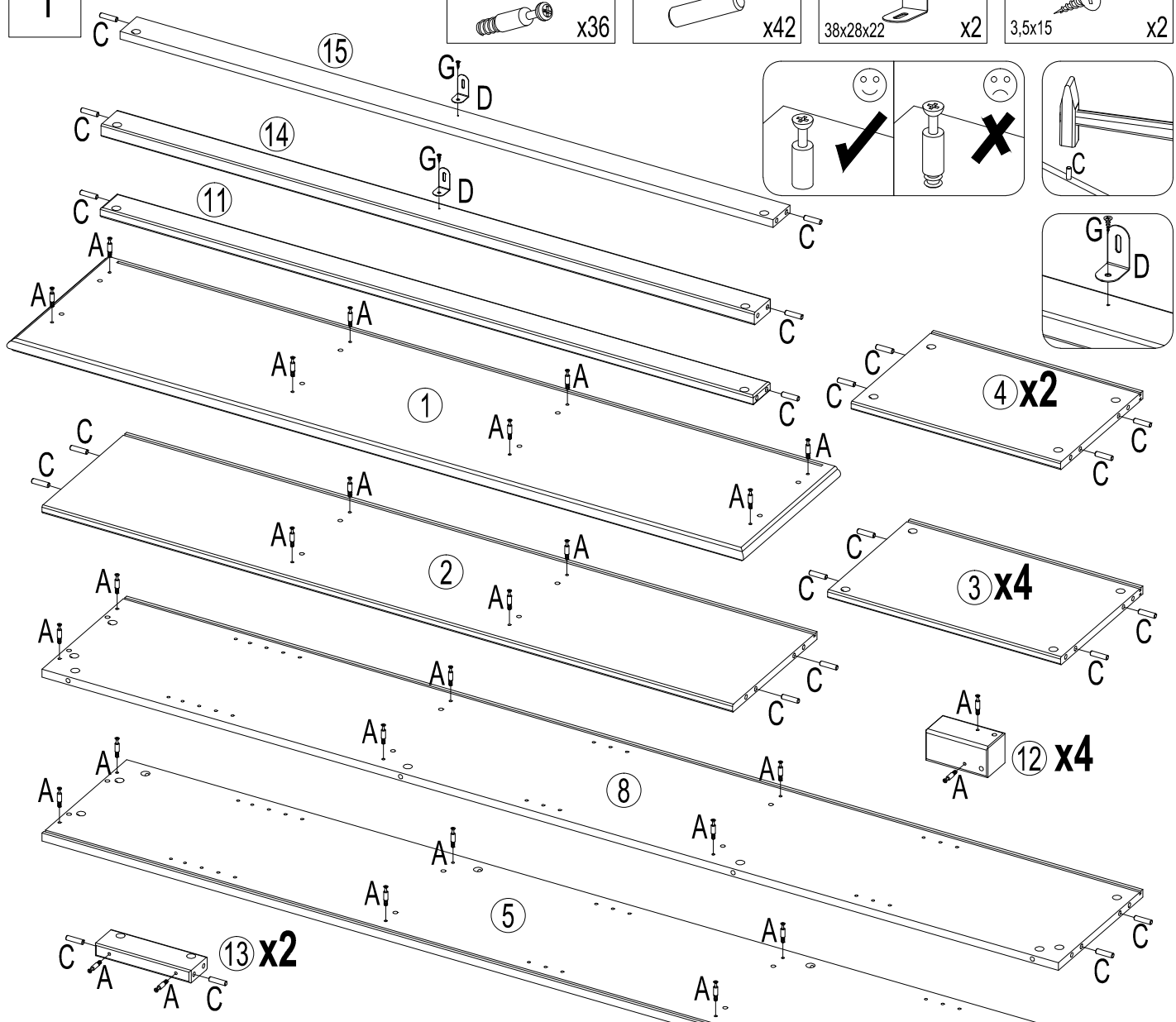
1

A 030093 x36

C 230010 x42

D 180074 38x28x22 x2

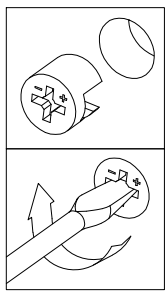
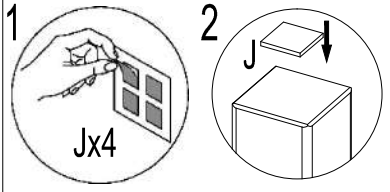
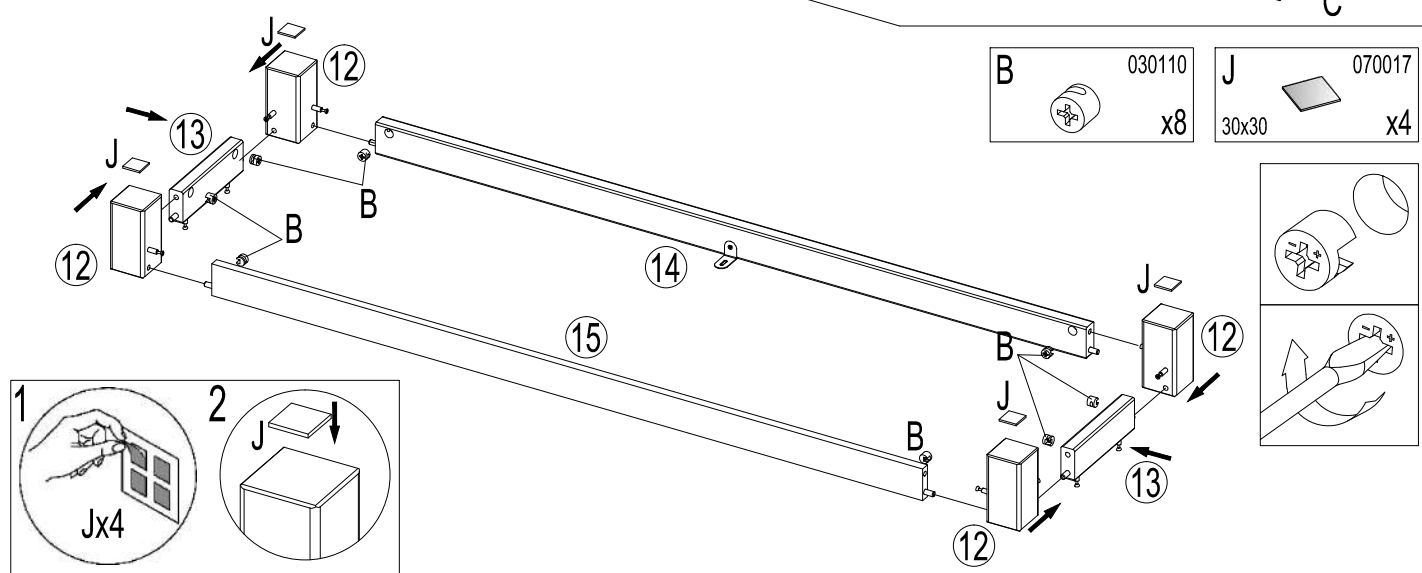
G 250012 3,5x15 x2



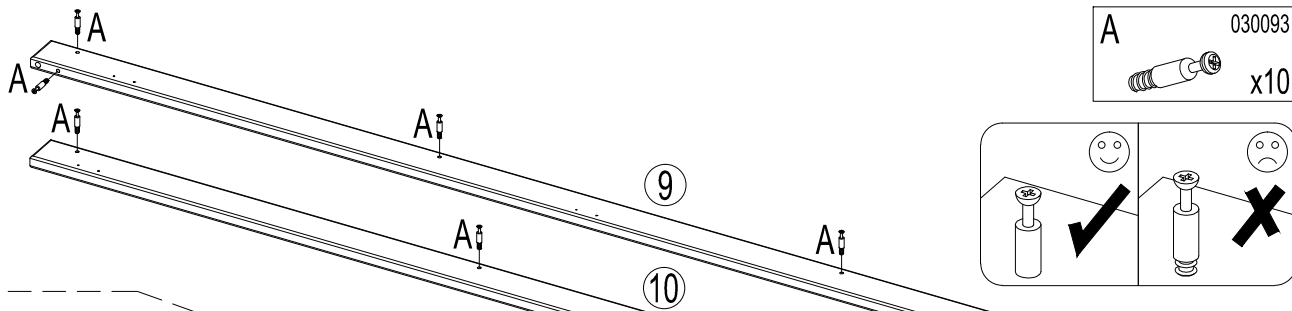
2

B 030110 x8

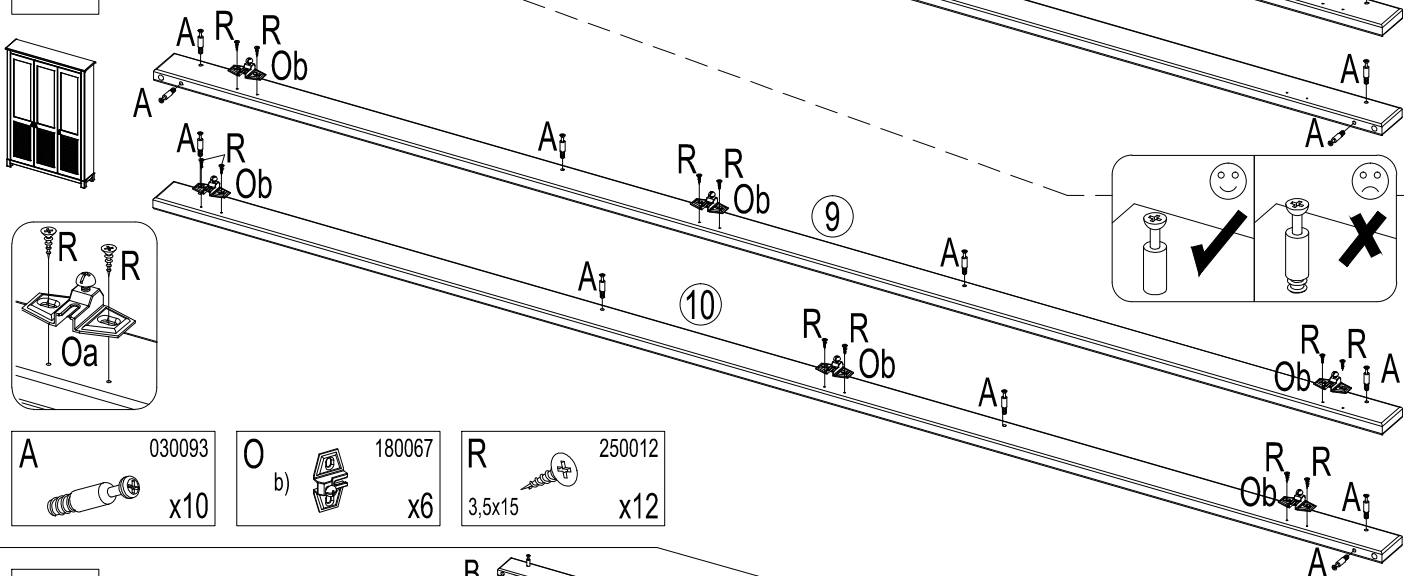
J 070017 30x30 x4



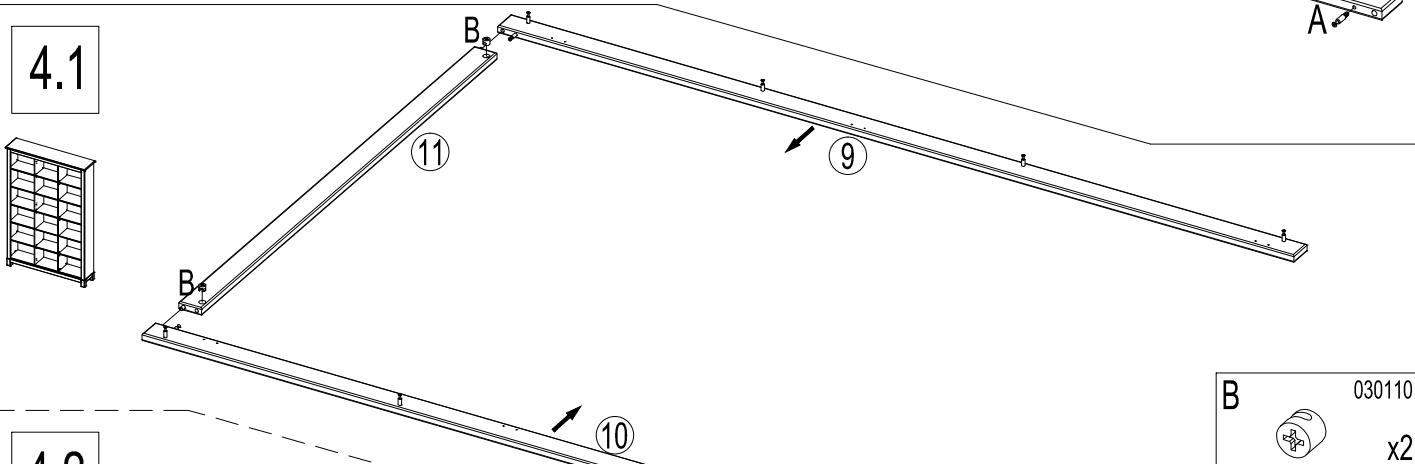
3.1



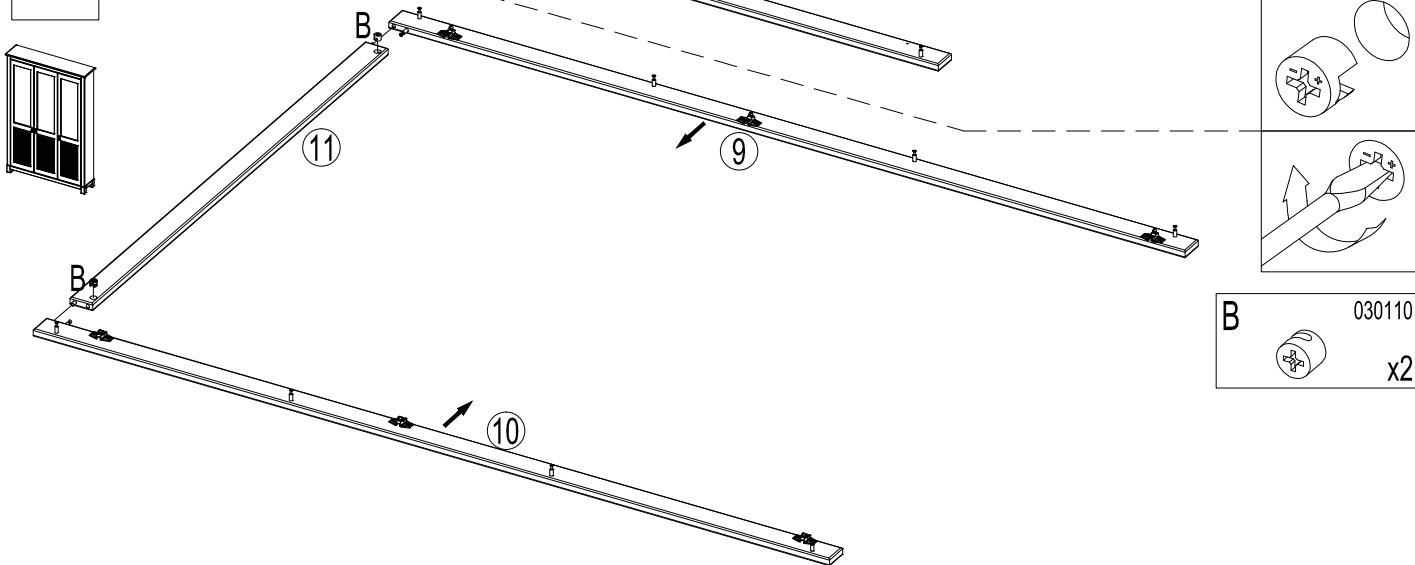
3.2



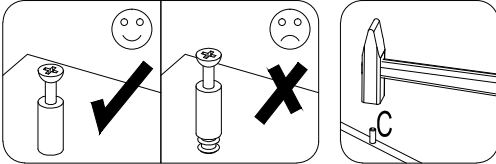
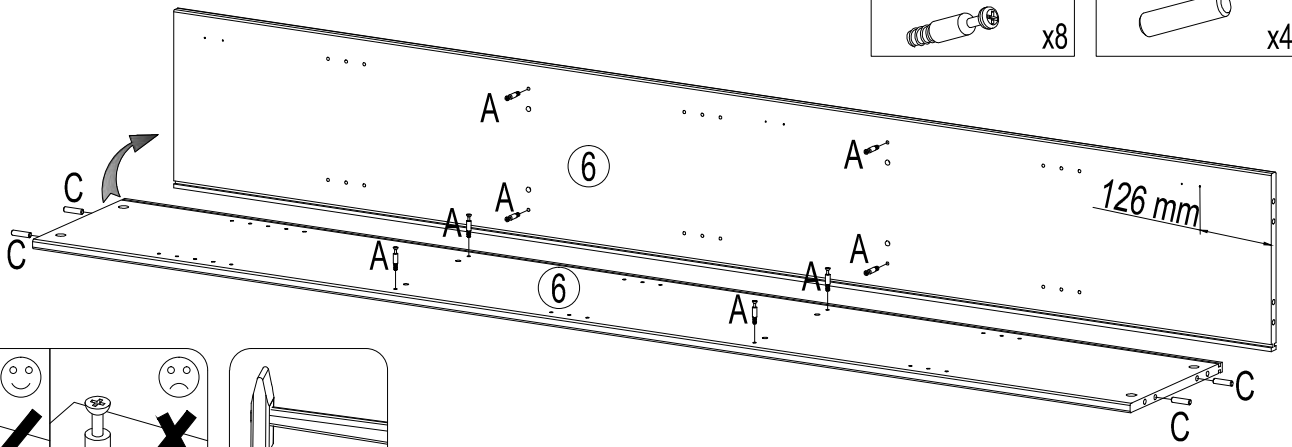
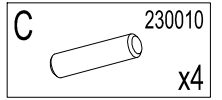
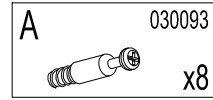
4.1



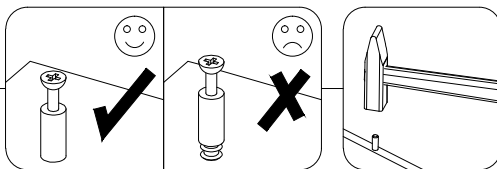
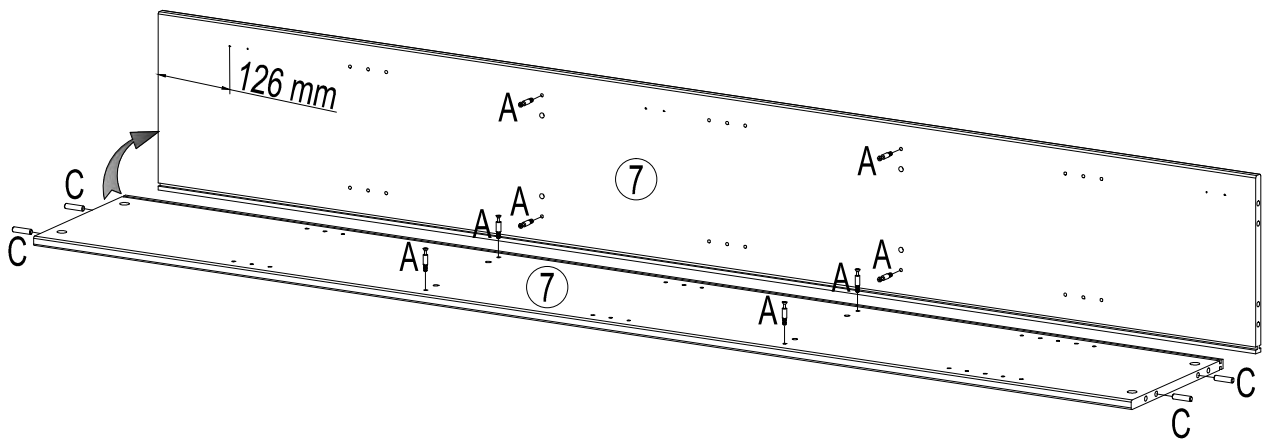
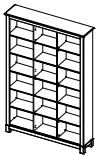
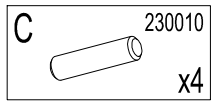
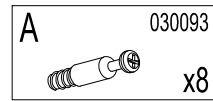
4.2



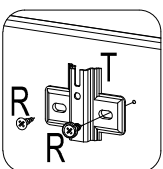
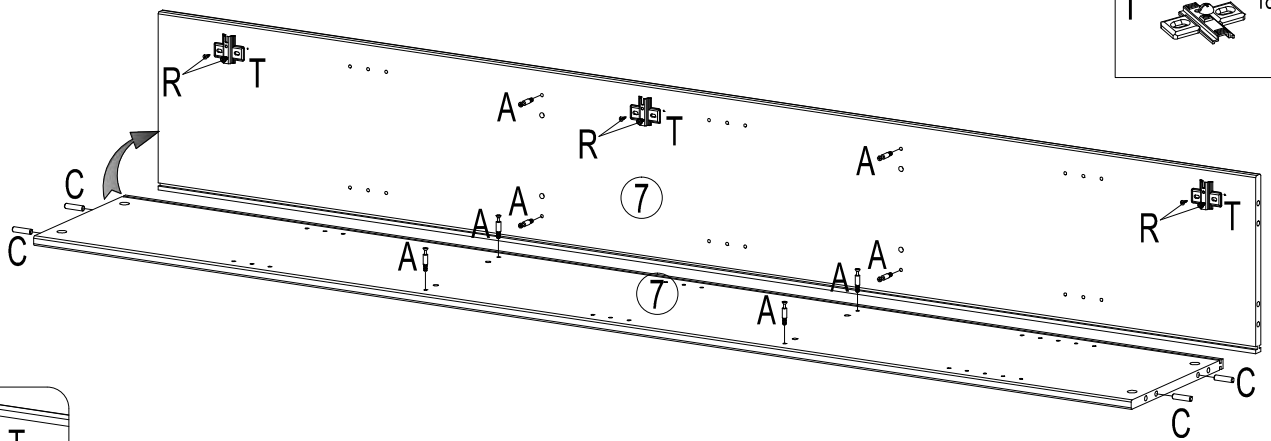
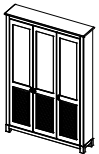
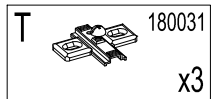
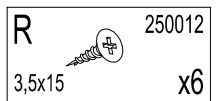
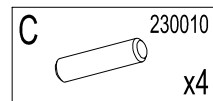
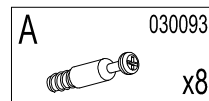
5



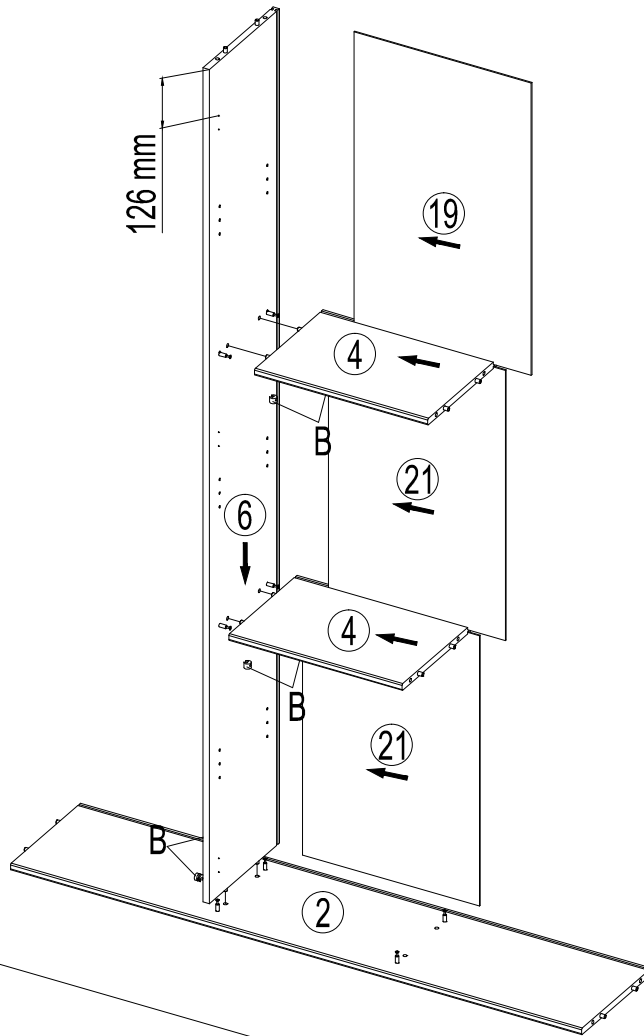
6.1



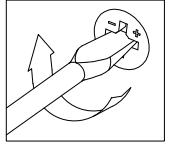
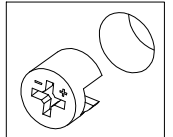
6.2



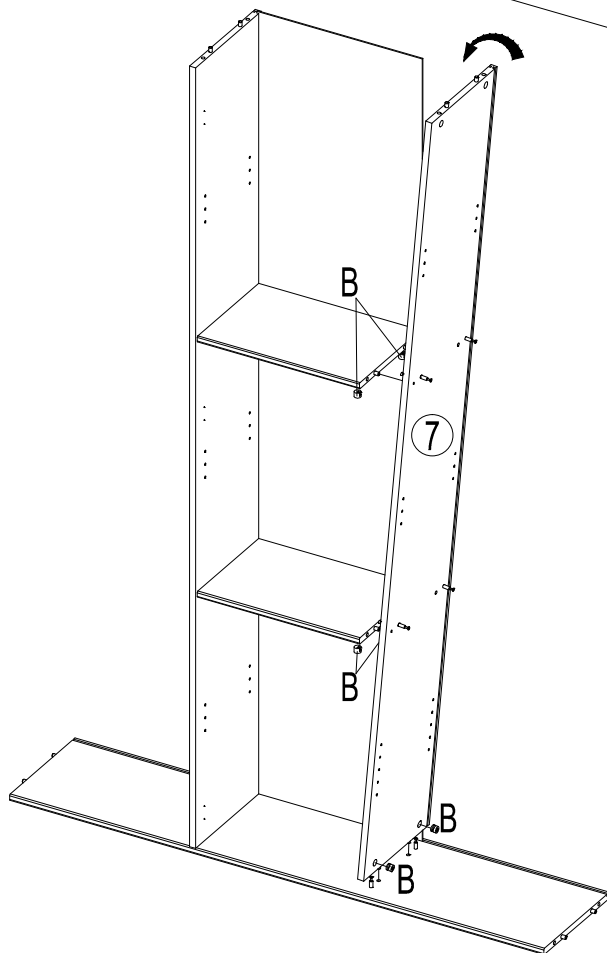
7



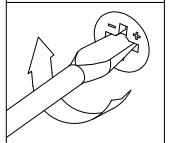
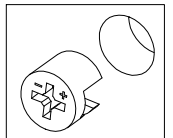
B 030110
x6



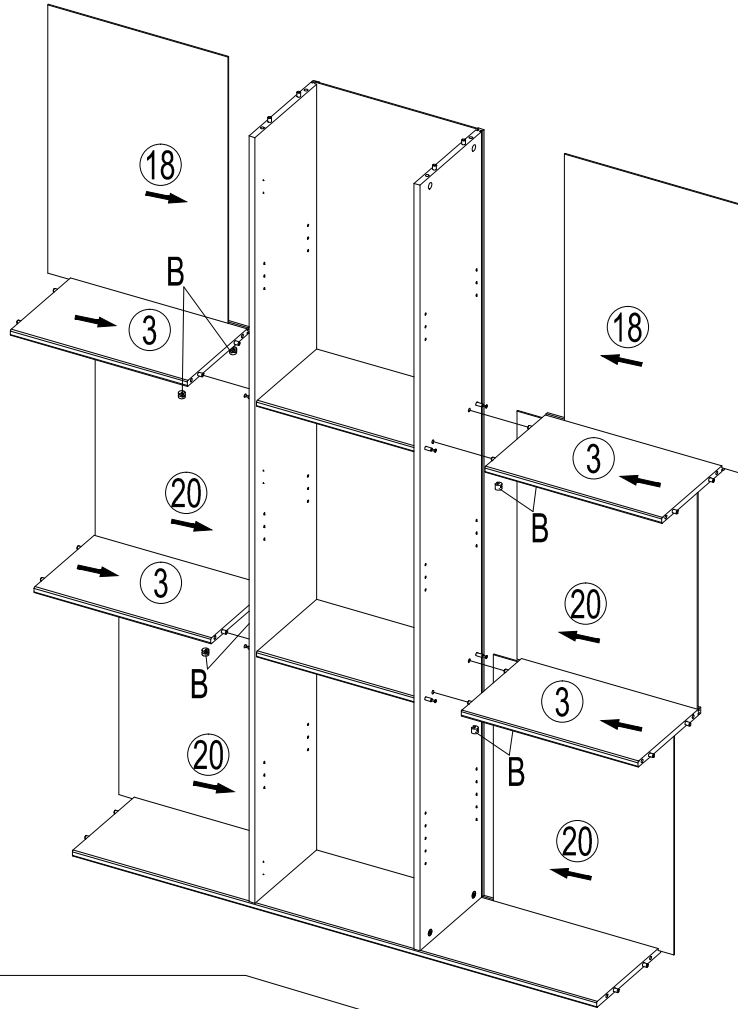
8



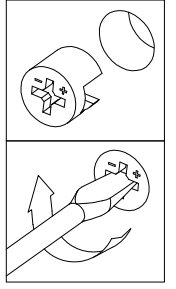
B 030110
x6



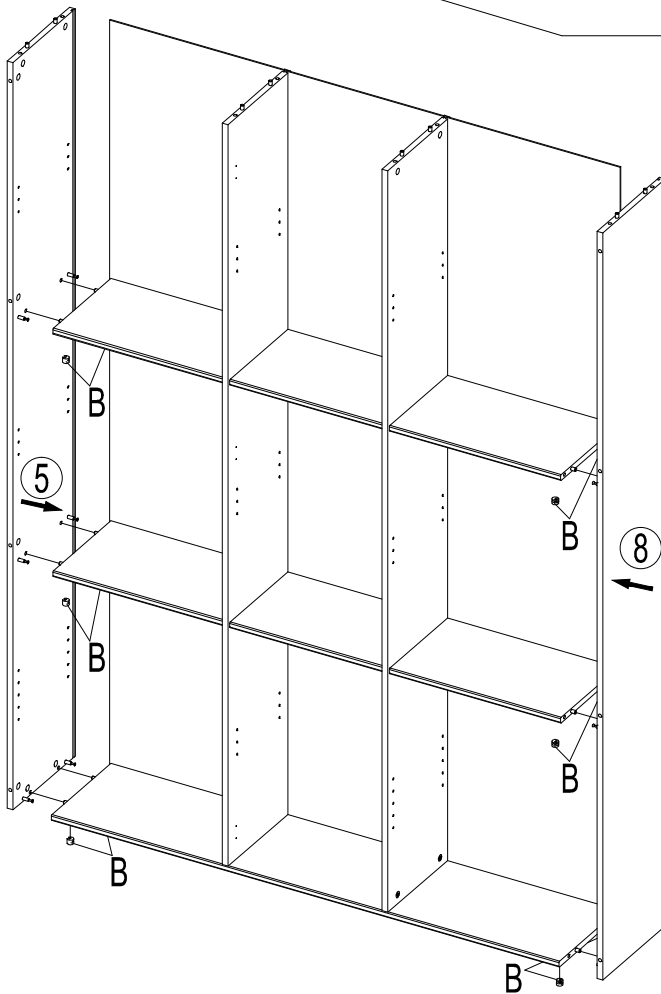
9



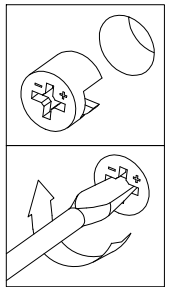
B 030110
x8



10

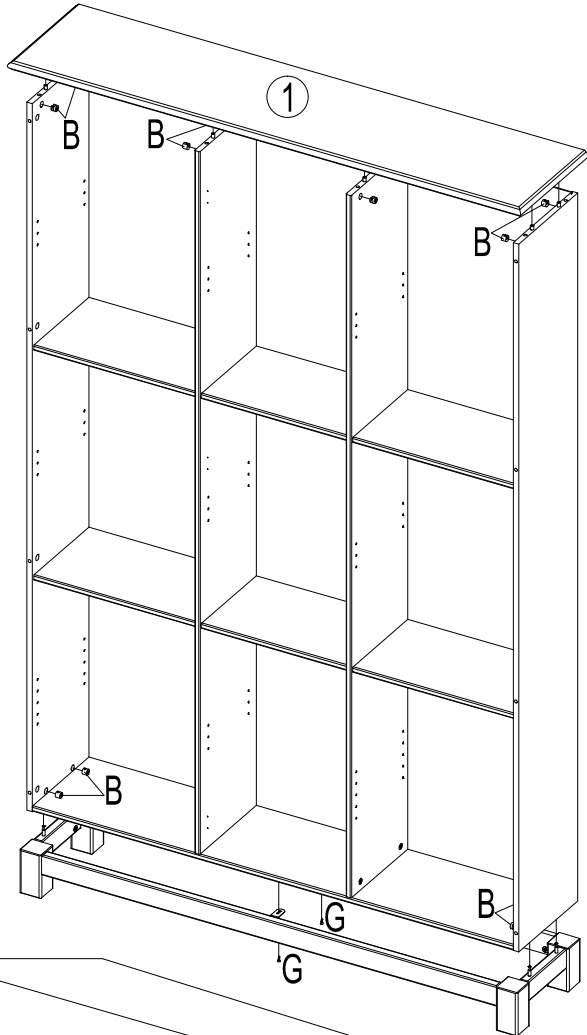


B 030110
x12



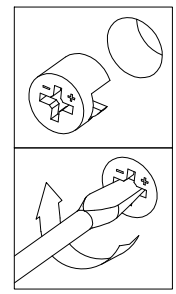
8

11

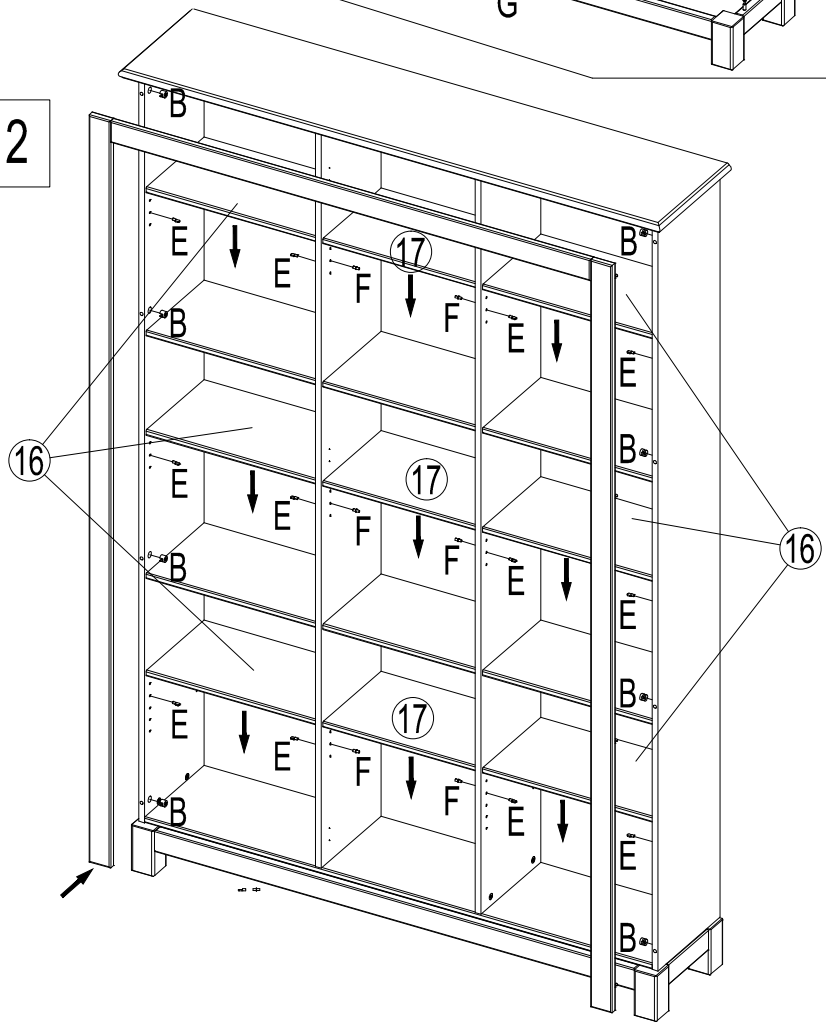


B 030110
x8

G 250012
3,5x15 x2



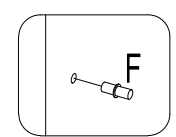
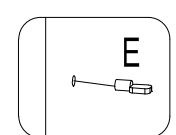
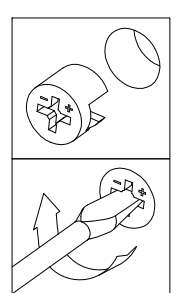
12



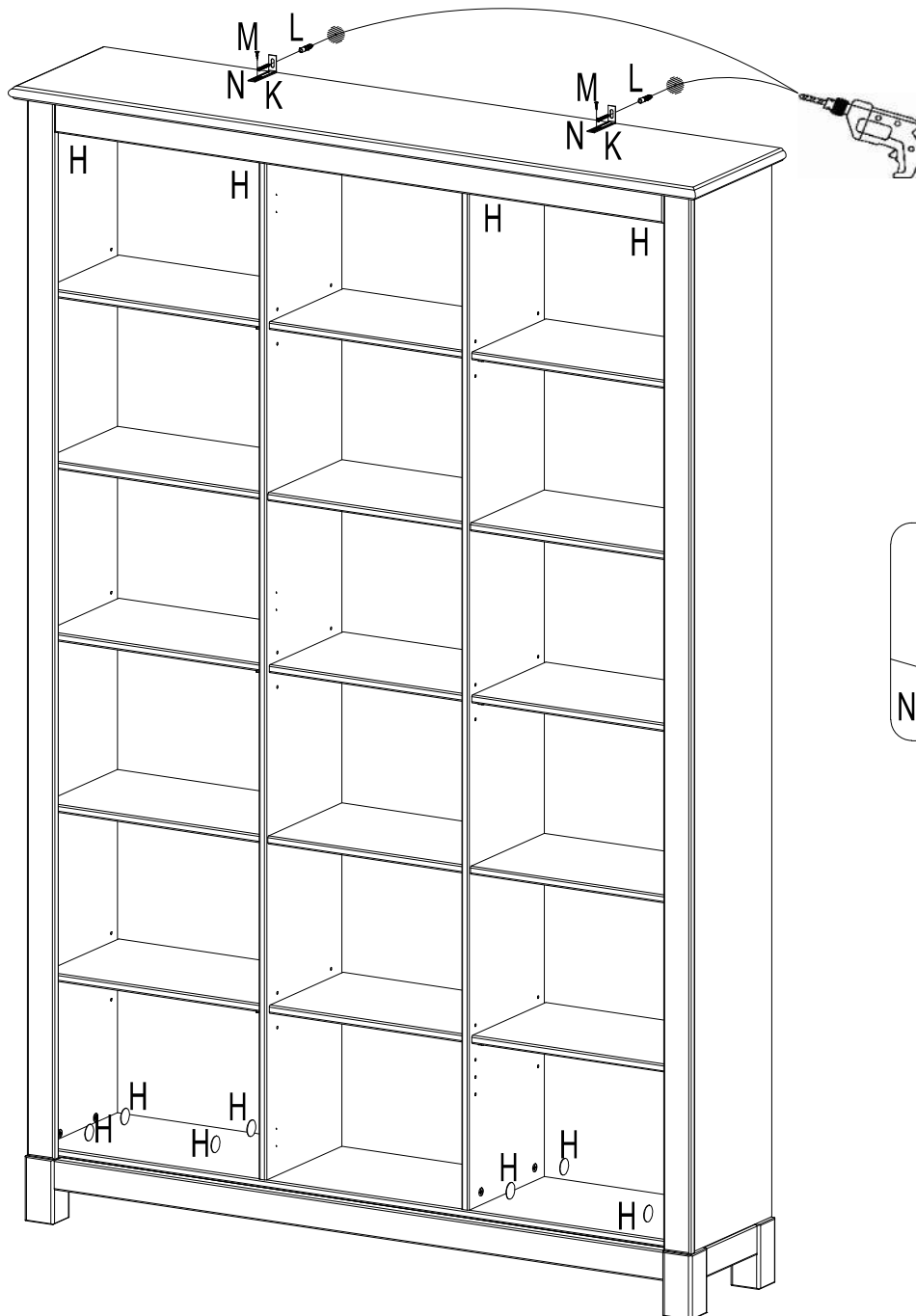
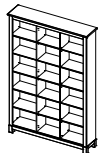
B 030110
x8


E 190009
x24


F 190002
x12





13




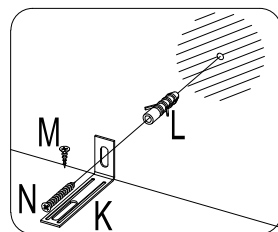
H  x16

K  180080 x2

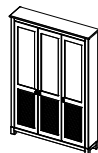
L  090004
Ø8x40 x2

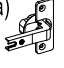
M  250012
3x15 x2


N  250044
4x40 x2





14

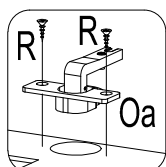
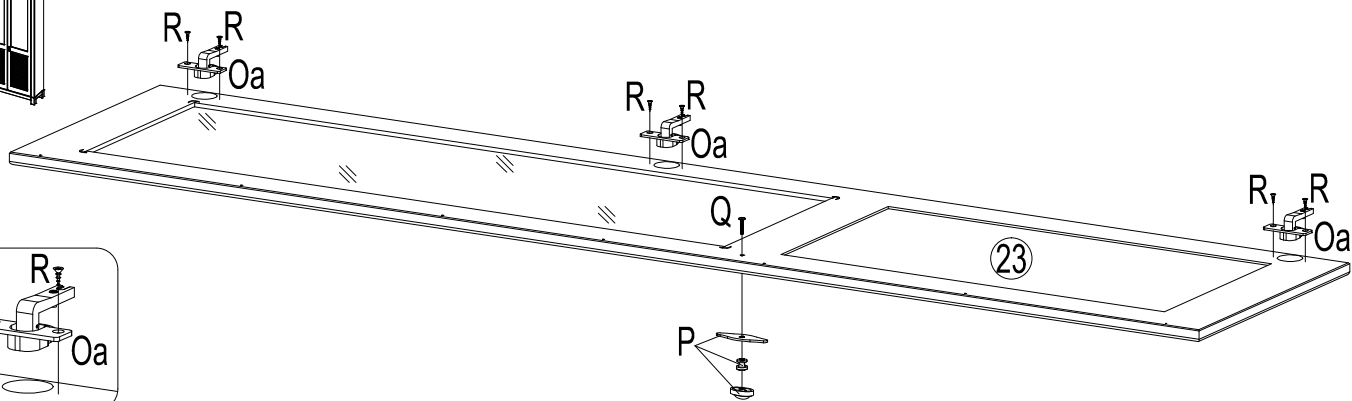


O  a) 180067 x3

P  c) 210042
a) b)

Q  030056
M4x35 x1

R  250012
3,5x15 x6



15

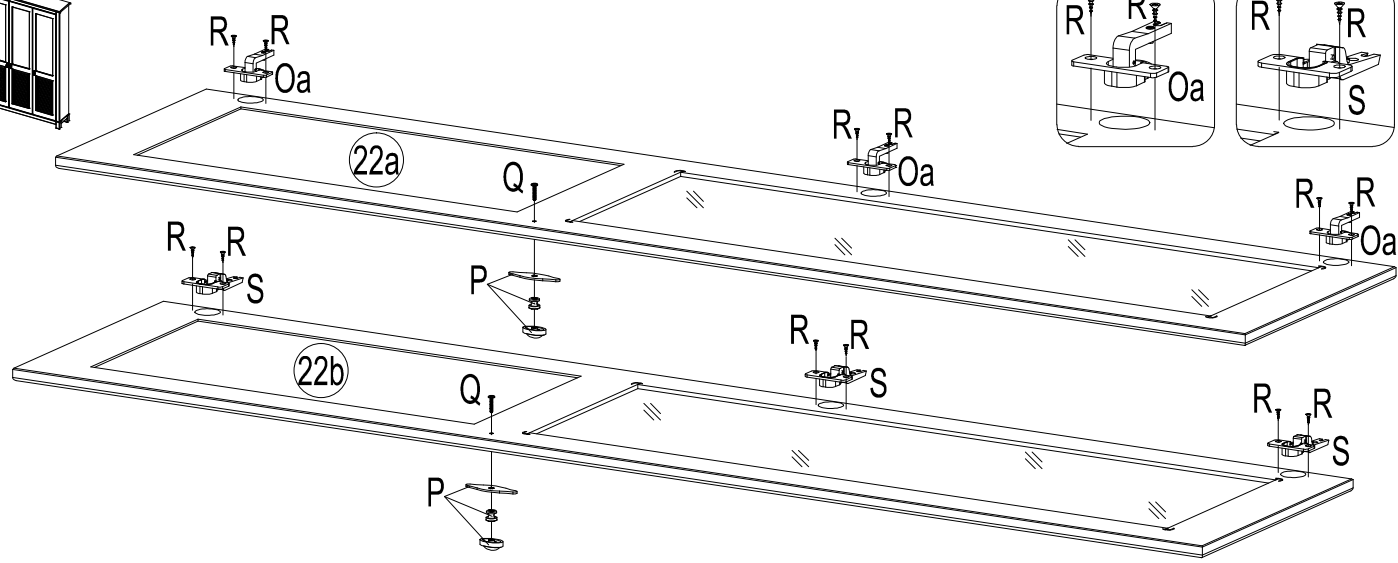
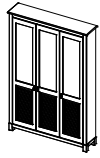
O a) 180067 x3

P c) 210042 x2
a) b)

Q 030056 x2
M4x35

R 250012 x12
3,5x15

S 180061 x3



16

